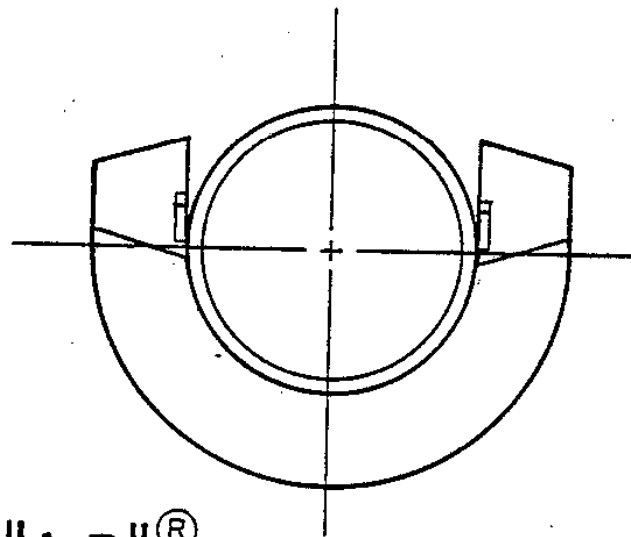
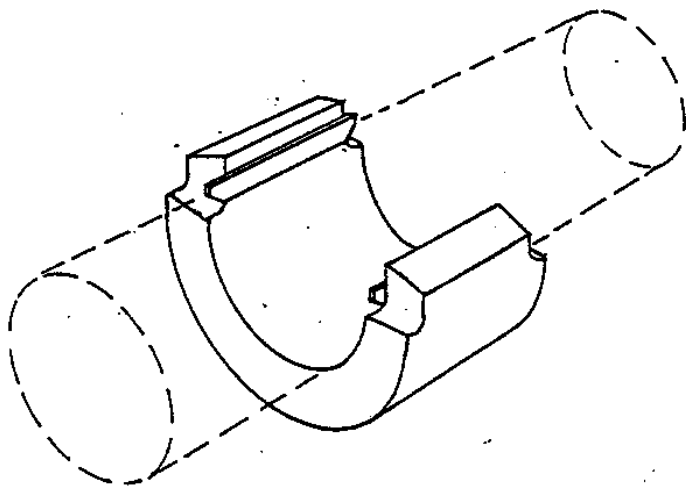


Bloom Ka-Weld[®]

Type 072



"U" SHAPE "A-P"[®]
WITH
WELD BAR TOP

Bloomrefractory
PRODUCTS
A NEW APPROACH TO
AN OLD INDUSTRY

BLOOM REFRACTORY PRODUCTS
5460 Horning Road
Pittsburgh, PA 15236
www.bloomeng.com
Phone: 412-653-3500, Fax: 412-653-2253
Email: info@bloomeng.com