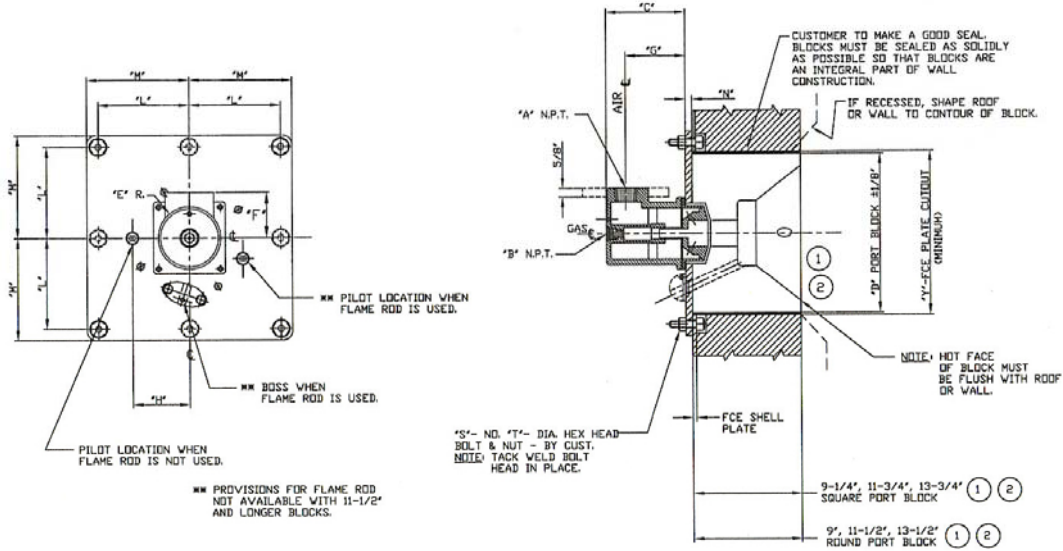


# 2120 SERIES HTR<sup>®</sup> HOT AIR BURNER GAS ONLY

## GENERAL DIMENSIONS



Catalog No. 2120-	General Dimensions (inches/mm)														
	A	B	C <sup>4</sup>	D Dia.	D Sq.	E	F	G	H	L	M	S	T	Y Dia.	Y Sq.
010	1 25	1/2 13	5.0 127	9.0 229	9.0 229	2.06 52	2.50 64	3.75 95	3.13 80	5.0 127	5.63 143	4.0 102	.50 13	9.25 235	9.25 235
015	1 1/2 38	1/2 13	5.0 127	9.0 229	9.0 229	2.06 52	2.50 64	3.75 95	3.13 80	5.0 127	5.63 143	4.0 102	.50 13	9.25 235	9.25 235
020	2 51	3/4 19	6.25 159	12.50 318	12.50 318	2.56 65	3.0 76	4.50 114	3.88 99	6.88 175	7.50 191	4.0 102	.50 13	12.75 324	12.75 324
025	2 1/2 64	1 25	7.81 198	15.0 381	15.0 381	3.19 81	4.38 111	5.38 137	4.88 124	8.38 213	9.0 229	8.0 203	.50 13	15.25 387	15.25 387
030	3 76	1 1/2 32	7.81 198	15.0 381	15.0 381	3.19 81	4.38 111	5.38 137	4.88 124	8.38 213	9.0 229	8.0 203	.50 13	15.25 387	15.25 387
040	4 102	2 51	9.19 233	18.0 457	18.0 457	3.31 84	5.0 127	6.13 156	5.63 143	9.88 251	10.50 267	8.0 203	.50 13	18.25 464	18.25 464
060	6" 152	2 1/2 64	11.0 279	23.50 597	22.50 572	4.31 109	6.50 165	6.94 176	6.0 152	12.75 324	13.50 343	8.0 206	.50 13	23.75 603	22.75 578

<sup>1</sup>Burners are available with round or square blocks. Order must specify block shape and length.  
<sup>2</sup>Special shapes and lengths are available, please contact your Bloom Representative  
<sup>3</sup>2120-060 burner air connection has 6"-125# standard drilling.  
<sup>4</sup>Add 5/16" (8 mm) to "C" and "G" dimensions for 2120-060 burners with 11 1/2" (292 mm) and longer blocks.

### "N" Dimension

Catalog No. 2120-	9" (229 mm) Long Block Round		9.25" (235 mm) Long Block Square		11.50" (292 mm) Long Block Round		11.75" (298 mm) Long Block Square		13.50" (343 mm) Long Block Round		13.75" (349 mm) Long Block Square	
	inches	mm	inches	mm	inches	mm	inches	mm	inches	mm	inches	mm
010 thru 040	.63	16	.38	10	.63	16	.38	10	.63	16	.38	10
060	.63	16	.63	16	.63	16	.63	16	.63	16	.63	16

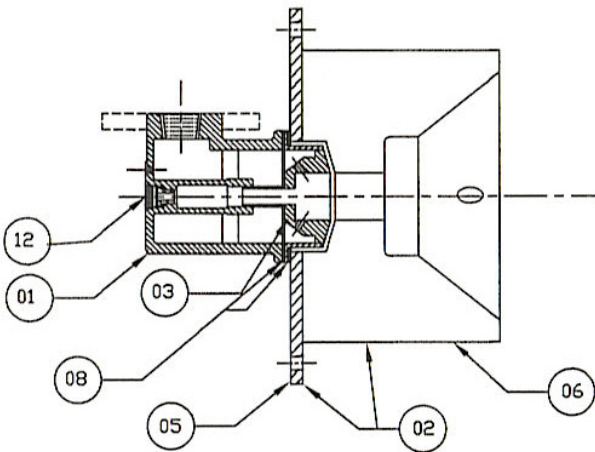
Standard burner material suitable for air temperature up to 800°F (427°C).  
 Special material available for air temperature above 800°F (427°C).

NOTE: GENERAL DIMENSION INFORMATION. SEE BLOOM REPRESENTATIVE FOR CERTIFIED DIMENSIONS FOR CONSTRUCTION

CAUTION: The improper use of combustion equipment can result in a condition hazardous to people and property. Users are urged to comply with National Safety Standards and/or Insurance Underwriters recommendations

# 2120 SERIES HTR<sup>®</sup> HOT AIR BURNER GAS ONLY

## PARTS LIST



Part Number	Description
01	Body
*02	Mounting Plate and Block Assembly
03	Nozzle Assembly
05	Mounting Plate
*06	Block
08	Gasket (body)
12	Gas Orifice

\*Specify Block Shape, dimensions and length.

Part number must be preceded by catalog number.

*Example:*

To order Part 02 - Mounting Plate and Block Assembly for 2120-040 Burner w/ Round Block

Specify –  
 2120-040 - 02 18" diameter, 9" long  
 (catalog number) (part number) (block shape, dimensions)

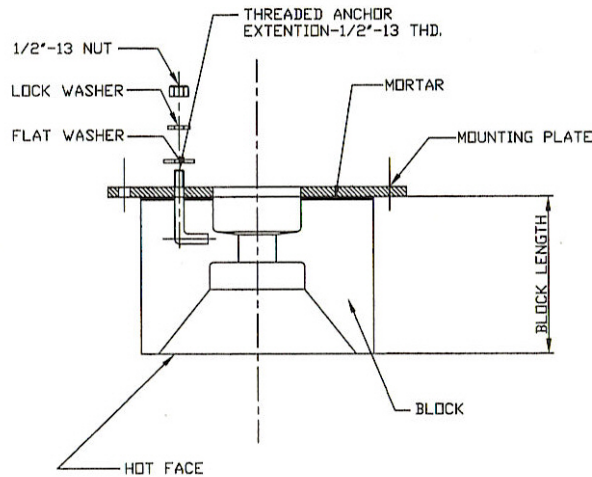
## APPROXIMATE BURNER WEIGHTS

Catalog No. 2120-	9" (229 mm) Long Block Round		9.25" (235 mm) Long Block Square		11.50" (292 mm) Long Block Round		11.75" (298 mm) Long Block Square		13.50" (343 mm) Long Block Round		13.75" (349 mm) Long Block Square	
	lbs	kg	lbs	kg	lbs	kg	lbs	kg	lbs	kg	lbs	kg
010	75	34	85	39	85	39	95	43	95	43	105	48
015	75	34	85	39	85	39	95	43	95	43	105	48
020	130	59	155	70	150	68	185	84	170	77	355	161
025	230	104	255	116	260	73	295	134	310	141	355	161
030	230	104	255	116	260	73	295	134	310	141	355	161
040	280	127	375	170	325	147	440	200	405	184	540	245
060	480	218	560	254	530	240	620	281	645	293	685	311

**CAUTION:** The improper use of combustion equipment can result in a condition hazardous to people and property. Users are urged to comply with National Safety Standards and/or Insurance Underwriters recommendations

## 2120 SERIES HTR<sup>®</sup> HOT AIR BURNER GAS ONLY

### MOUNTING PLATE AND ASSEMBLY INSTRUCTIONS



1. Place block with hot face down.
2. Check that mounting plate fits onto anchor extensions and that pilot and/or Flame Supervision holes line-up.
3. Remove mounting plate from block and coat surface of block which abuts plate with 1/16" to 1/8" thickness of high temperature air setting mortar.
4. Coat threaded anchor extensions with high temperature lubricant.
5. Reset mounting plate on block as previously done in Step 2 above.
6. Place washers and nuts on threaded anchors.
7. Draw mounting plate down evenly against block. Do not exceed 30 to 40 ft. lb. torque on nuts. (If torque wrench not available, tighten to snug fit.) Check to see that "hold dimension" is correct. Also be sure mounting plate is drawn down evenly against block as misalignment will not permit proper burner assembly.
8. Mounting plate is now ready for installation on furnace.

Catalog No. 2120-	Block Length					
	9.0" (229 mm) or 9.25" (235 mm)		11.50" (292 mm) or 11.75" (298 mm)		13.50" (343 mm) or 13.75" (349 mm)	
	A ± .06" (2 mm)		A ± .06" (2 mm)		A ± .06" (2 mm)	
	inches	mm	inches	mm	inches	mm
010	4.69	119	7.19	183	9.19	233
015	4.69	119	7.19	183	9.19	233
020	3.56	90	6.06	154	8.06	205
025	3.0	76	5.50	140	7.50	191
030	3.0	76	5.50	140	7.50	191
040	2.13	54	4.63	118	6.63	168
060	0	0	2.25	57	4.25	108

NOTE: GENERAL DIMENSION INFORMATION. SEE BLOOM REPRESENTATIVE FOR CERTIFIED DIMENSIONS FOR CONSTRUCTION

CAUTION: The improper use of combustion equipment can result in a condition hazardous to people and property. Users are urged to comply with National Safety Standards and/or Insurance Underwriters recommendations