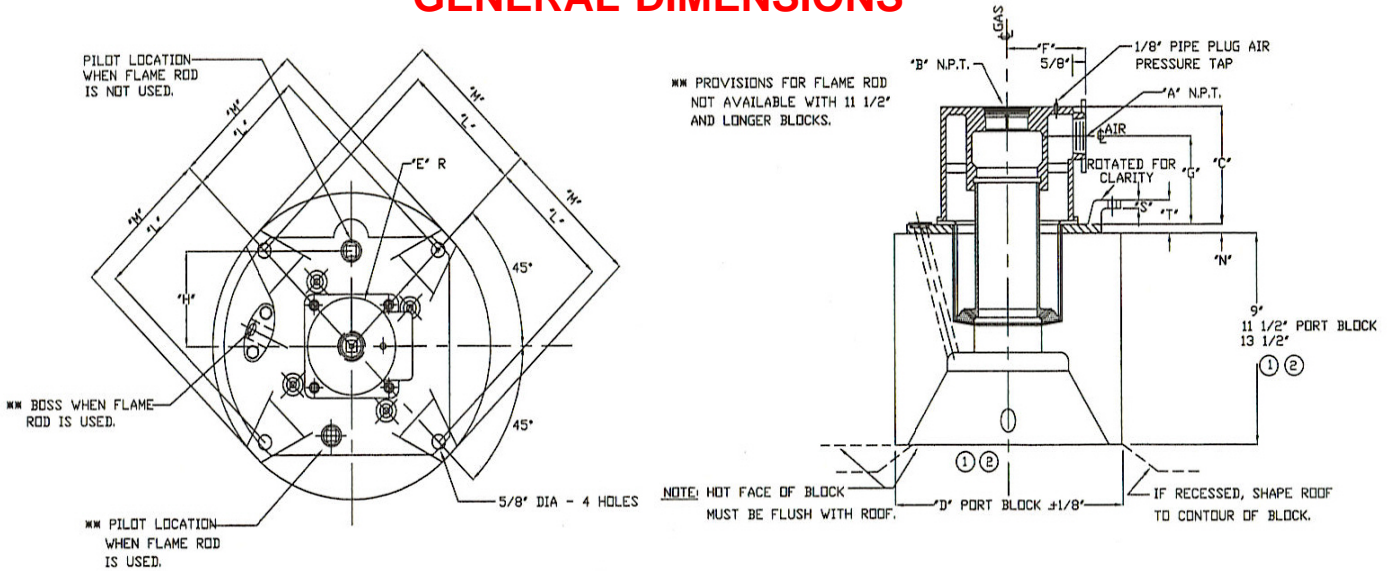


2010 SERIES HTR[®] COLD AIR BURNER GAS ONLY – FOR ROOF FIRING

GENERAL DIMENSIONS



Catalog No. 2010-	GENERAL DIMENSIONS (inches/mm)													
	A	B	C ⁴	D		E	F	G ⁴	H	L	M	N	S	T
				Dia.	Square									
010	1	1/2	5.0	9.0	9.0	2.06	2.5	3.75	3.13	5.75	6.5	.38	.50	1.75
	25	13	127	229	229	52	64	95	79	146	165	10	13	44
015	1 1/2	1/2	5.0	9.0	9.0	2.06	2.5	3.75	3.13	5.75	6.5	.38	.50	1.75
	38	13	127	229	229	52	64	95	79	146	165	10	13	44
020	2	3/4	6.25	12.5	12.5	2.56	3.0	4.5	3.88	6.0	7.0	.63	.63	2.0
	51	19	159	318	318	65	76	114	98	152	178	16	16	51
025	2 1/2	1	7.81	15.0	15.0	3.19	4.38	5.38	4.88	7.5	8.5	.63	.63	2.0
	64	25	198	381	381	81	111	136	124	191	216	16	16	51
030	3	1 1/4	7.81	15.0	15.0	3.19	4.38	5.38	4.88	7.5	8.5	.63	.63	2.0
	76	32	198	381	381	81	111	136	124	191	216	16	16	51
040	4	2	9.19	18.0	18.0	3.31	5.0	6.13	5.63	8.38	8.94	.63	.63	2.0
	102	51	233	457	457	84	127	155	143	213	227	16	16	51
060	6 ³	2 1/2	11.0	23.5	22.5	4.31	6.5	6.94	6.0	10.5	11.5	.63	.63	2.0
	152	64	279	597	572	110	165	176	152	267	292	16	16	51

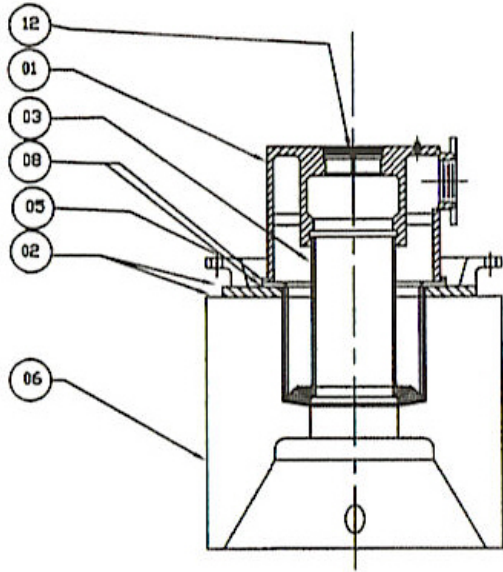
¹Burners are available with round or square blocks. Order must specify block shape and length.
²Special shapes and lengths are available, please contact your Bloom Representative
³2010-060 burner air connection has 6"-125# standard drilling.
⁴Add 5/16" (8mm) to "C" and "G" dimensions for 2010-060 burners with 11 1/2" (292mm) and longer blocks.

NOTE: GENERAL DIMENSION INFORMATION. SEE BLOOM REPRESENTATIVE FOR CERTIFIED DIMENSIONS FOR CONSTRUCTION

CAUTION: The improper use of combustion equipment can result in a condition hazardous to people and property. Users are urged to comply with National Safety Standards and/or Insurance Underwriters recommendations

2010 SERIES HTR[®] COLD AIR BURNER GAS ONLY – FOR ROOF FIRING

PARTS LIST



Part Number	Description
01	Body
*02	Mounting Plate and Block Assembly
03	Nozzle Assembly
05	Mounting Plate
*06	Block
08	Gasket (body)
12	Gas Orifice

*Specify Block Shape, dimensions and length.

Part number must be preceded by catalog number.

Example:

To order Part 02 - Mounting Plate and Block Assembly for 2010-040 Burner w/ Round Block Specify –

2010-040 - 02 18" diameter, 9" long
(catalog number) (part number) (block shape, dimensions)

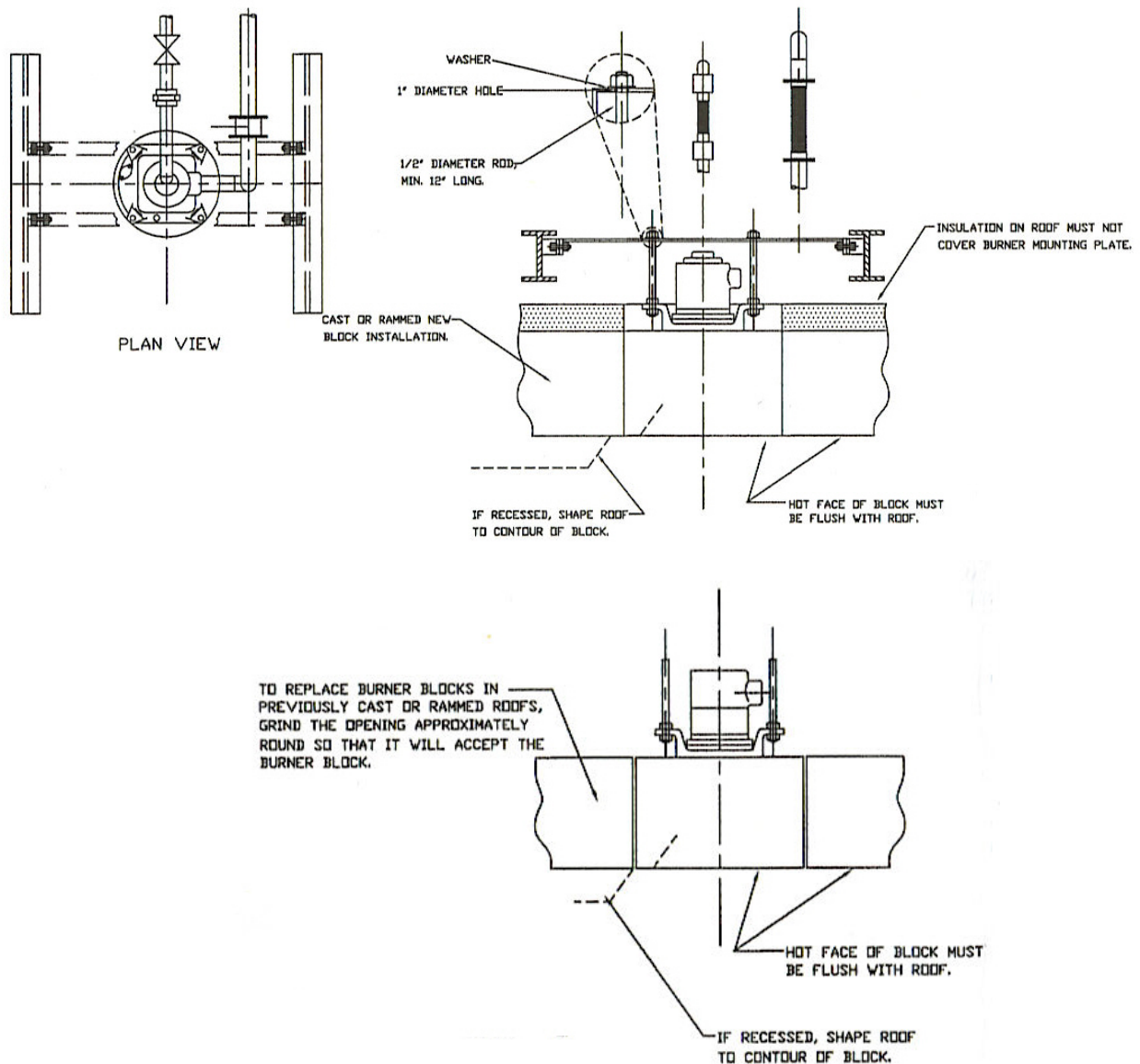
APPROXIMATE BURNER WEIGHTS

Catalog No. 2010-	9" (229 mm) Long Block Round		9.25" (235 mm) Long Block Square		11.50" (292 mm) Long Block Round		11.75" (298 mm) Long Block Square		13.50" (343 mm) Long Block Round		13.75" (349 mm) Long Block Square	
	lbs	kg	lbs	kg	lbs	kg	lbs	kg	lbs	kg	lbs	kg
010	75	34	85	39	85	39	95	43	95	43	105	48
015	75	34	85	39	85	39	95	43	95	43	105	48
020	130	59	155	70	150	68	185	84	170	77	355	161
025	230	104	255	116	260	73	295	134	310	141	355	161
030	230	104	255	116	260	73	295	134	310	141	355	161
040	280	127	375	170	325	147	440	200	405	184	540	245
060	480	218	560	254	530	240	620	281	645	293	685	311

CAUTION: The improper use of combustion equipment can result in a condition hazardous to people and property. Users are urged to comply with National Safety Standards and/or Insurance Underwriters recommendations

2010 SERIES HTR[®] COLD AIR BURNER GAS ONLY – FOR ROOF FIRING

TYPICAL INSTALLATION



CAUTION: The improper use of combustion equipment can result in a condition hazardous to people and property. Users are urged to comply with National Safety Standards and/or Insurance Underwriters recommendations