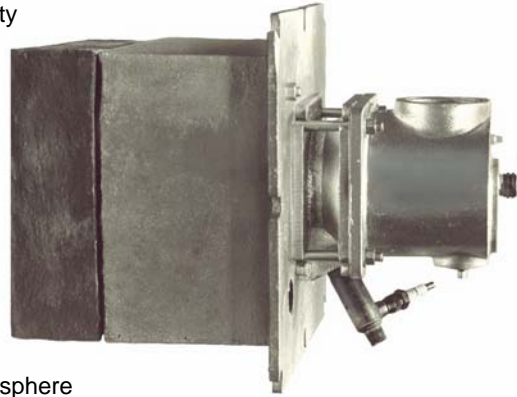


1360 SERIES UNI-HEAT® BURNER

CAPABILITIES

- High velocity, jet-boosted, high momentum burner
- Outstanding furnace and product temperature uniformity
- Shorter cycle times
- High furnace productivity
- Lower fuel consumption
- Suitable for fiber wall construction
- Low NO_x emissions
- Simple combustion control
- Simple furnace pressure control
- Suitable for use with impulse control
- Maintains either an oxidizing or reducing furnace atmosphere
- No eye-irritating, odor-producing combustion products even at temperatures as low as 350°F (177°C)
- Designed for cold air applications. For alternative hot air burners contact Bloom.
- Furnace temperatures to 2200°F (1204°C) and higher with optional construction



FEATURES

- Rugged construction
- Heat resistant gas and air nozzles
- Cast body construction
- Simple mounting requirements
- Integral fuel orifice
- Custom designs available for special applications

CONTROL

- Cross Connected Regulator
- Metered Flow

FLAME MONITORING

- U.V. Detector
- Flame Rod

BURNER IGNITION

- Pilot
- Direct Spark

APPLICATIONS

- Car-type and batch heat treating furnaces
- Roller hearth furnaces
- Plate heat treating furnaces
- Tube re-heating furnaces
- Ceramic kilns
- Forge furnaces
- Tundish and ladle heaters and dryers
- Continuous strip heating furnaces
- Lehrs
- Batch annealing furnaces
- Re-circulating furnaces
- Tube re-heating furnaces
- Any application currently using tempered flame burners
- Many other applications requiring temperature uniformity

FUEL CAPABILITIES

- Natural Gas
- Other Gaseous Fuels

CAUTION: The improper use of combustion equipment can result in a condition hazardous to people and property. Users are urged to comply with National Safety Standards and/or Insurance Underwriters recommendations

1360 SERIES UNI-HEAT® BURNER

CAPACITY CHART

Catalog No. 1360-	Air Pressure at Burner		Gas Pressure at Burner		Combustion Air Capacity 100°F (38°C)		Natural Gas Capacity 60°F (16°C)		Pilot Part No.	Jet Air Capacity 100°F (38°C) 20" wc (50 mBar)	
	inches WC	mBar	inches WC	mBar	SCFH	Nm ³ /hr	SCFH	Nm ³ /hr		SCFH	Nm ³ /hr
015	7	17.4	4.4	11.0	1,624	43.5	148	4.0	3001-009	686	18.4
	10	24.9	6.2	15.4	1,941	52.0	176	4.7			
	15	37.3	9.4	23.4	2,377	63.7	216	5.8			
	20	50.0	12.6	31.3	2,745	73.6	250	6.7			
020	7	17.4	4.6	11.4	3,035	81.4	276	7.4	3001-009	1283	34.4
	10	24.9	6.6	16.4	3,627	97.2	330	8.9			
	15	37.3	9.9	24.6	4,443	119.1	404	10.8			
	20	50.0	13.1	32.6	5,130	137.5	466	12.5			
025	7	17.4	5.5	13.7	4,798	128.6	436	11.7	3001-010	2028	54.4
	10	24.9	7.8	19.4	5,735	153.8	521	14.0			
	15	37.3	11.8	29.4	7,023	188.3	638	17.1			
	20	50.0	15.7	39.1	8,110	217.4	737	19.8			
030	7	17.4	4.5	11.2	6,310	169.2	574	15.4	3001-030	2665	71.5
	10	24.9	6.4	15.9	7,542	202.2	686	18.4			
	15	37.3	9.6	23.9	9,237	247.6	840	22.5			
	20	50.0	12.8	31.8	10,666	286.0	970	26.0			

APPROXIMATE BURNER WEIGHTS

Catalog No. 1360-	9.25" (235 mm) Block		6" (152 mm) Block		4 ¾" (121 mm) Block	
	lbs	kg	lbs	kg	lbs	kg
015	130	59	110	50	100	45
020	130	59	110	50	100	45
025	130	59	110	50	100	45
030	180	82	150	68	150	68

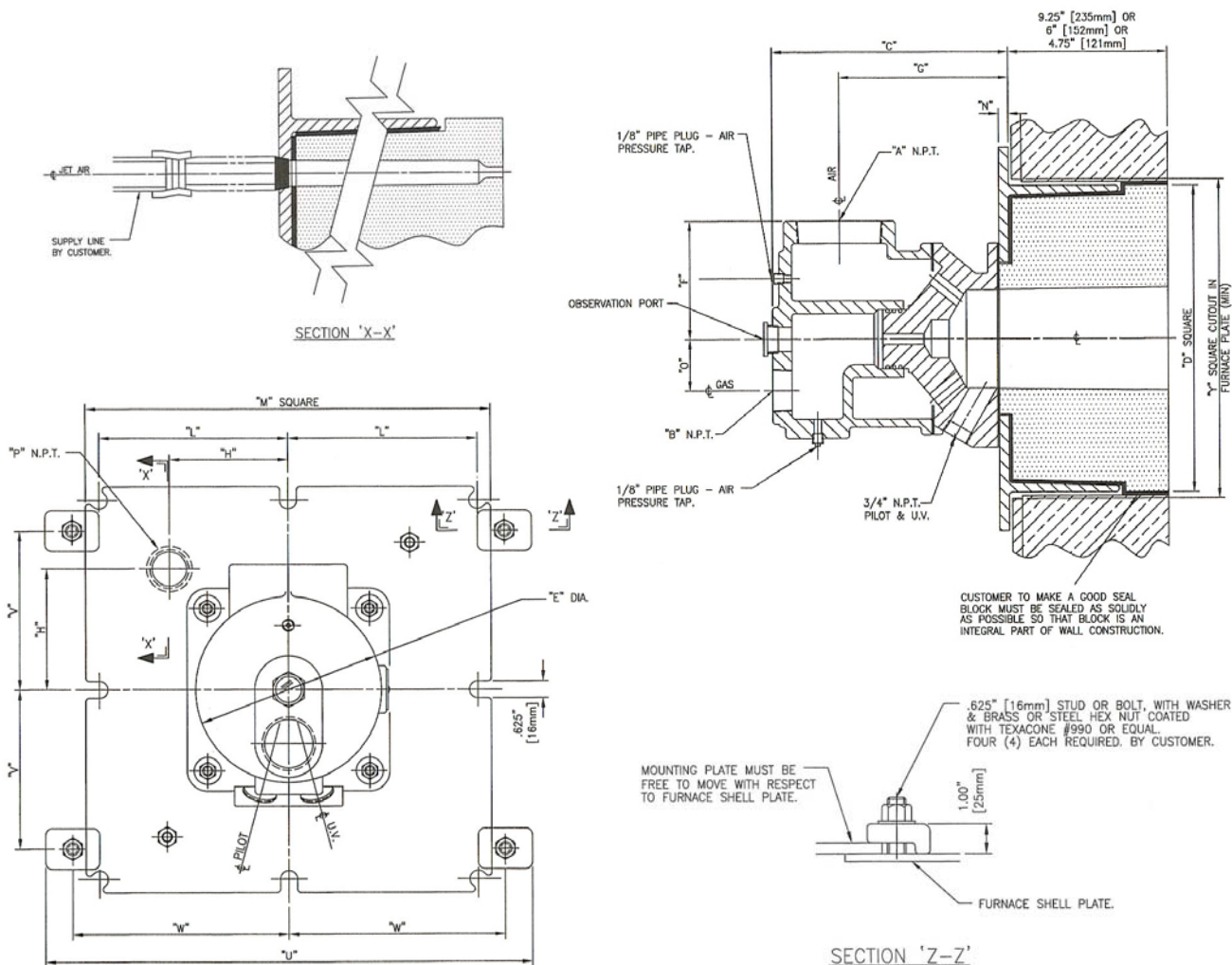
FLAME DIMENSIONS/EXCESS AIR

@20" WC (50 MBAR) 10% EXCESS AIR

Catalog No. 1360-	Length		Diameter		XS Air
	inches	mm	inches	mm	
015	11	279	2	51	75
020	14	356	3	76	100
025	24	610	6	152	100
030	28	711	4	102	300

CAUTION: The improper use of combustion equipment can result in a condition hazardous to people and property. Users are urged to comply with National Safety Standards and/or Insurance Underwriters recommendations

1360 SERIES UNI-HEAT® BURNER



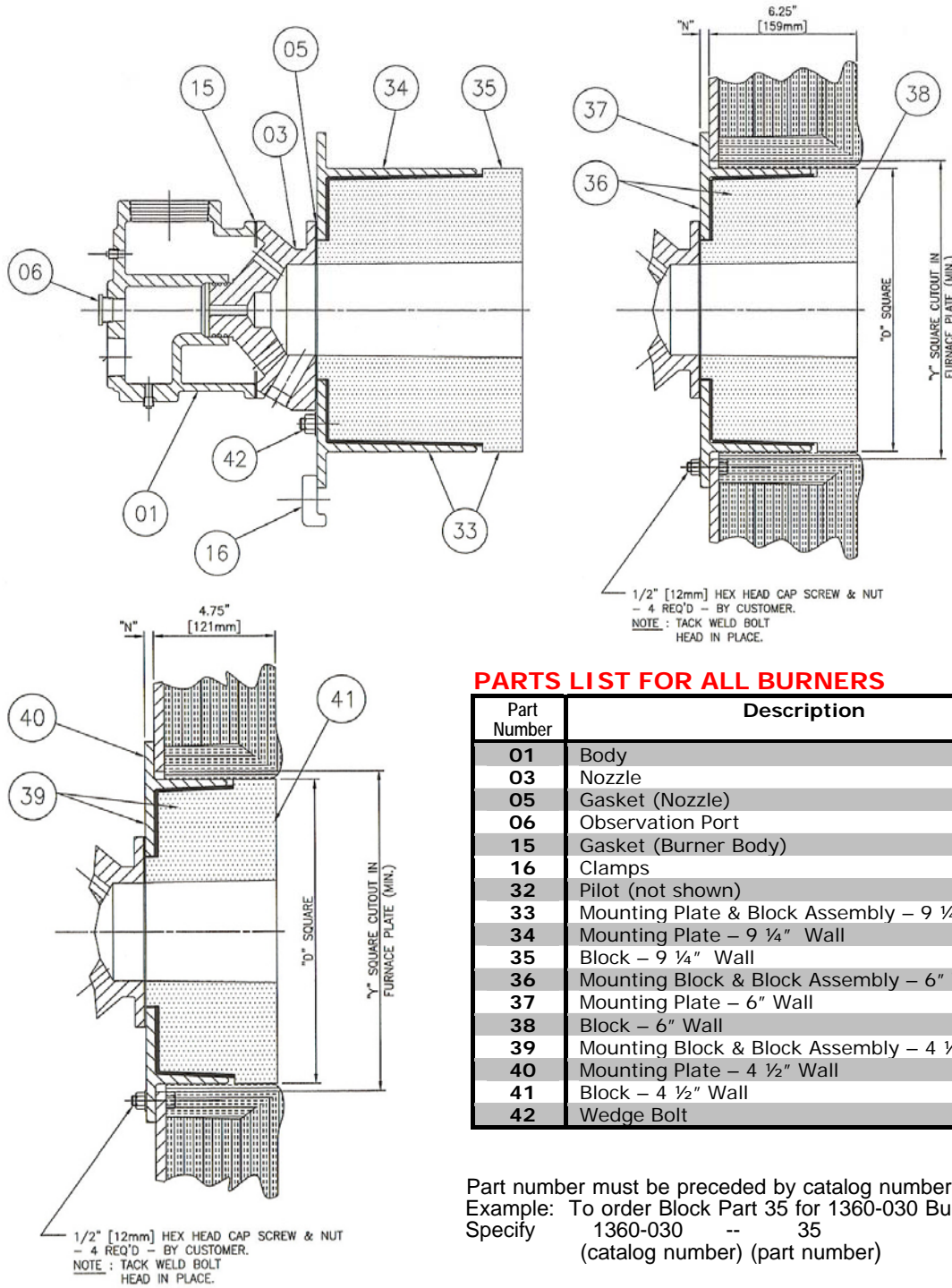
Catalog No. 1360-	A	B	C	D	E	F	G	H	L	M	N	O	P	U	V	W	Y
015	1½	1	7.44	10	5.38	3.13	5.38	3.63	6	13	.38	1.5	1.0	16.25	4.88	7.0	10.5
	38	25	189	254	137	80	137	92	152	330	10	38	25	413	124	178	267
020	2	1	7.44	10	5.38	3.13	5.38	3.63	6	13	.38	1.5	1.0	16.25	4.88	7.0	10.5
	51	25	189	254	137	80	137	92	152	330	10	38	25	413	124	178	267
025	2½	1	7.69	10	5.38	3.13	5.63	3.63	6	13	.38	1.5	1.0	16.25	4.88	7.0	10.5
	64	25	195	254	137	80	143	92	152	330	10	38	25	413	124	178	267
030	3	1¼	9.25	12	6.88	4.63	6.63	4.50	7	15	.38	2	1.25	18.25	5.88	8.0	12.5
	76	32	235	305	175	118	143	114	178	381	10	51	32	464	149	203	318

Inches in black and mm in blue

NOTE: GENERAL DIMENSION INFORMATION. SEE BLOOM REPRESENTATIVE FOR CERTIFIED DIMENSIONS FOR CONSTRUCTION

CAUTION: The improper use of combustion equipment can result in a condition hazardous to people and property. Users are urged to comply with National Safety Standards and/or Insurance Underwriters recommendations

1360 SERIES UNI-HEAT® BURNER



PARTS LIST FOR ALL BURNERS

Part Number	Description
01	Body
03	Nozzle
05	Gasket (Nozzle)
06	Observation Port
15	Gasket (Burner Body)
16	Clamps
32	Pilot (not shown)
33	Mounting Plate & Block Assembly – 9 1/4" Wall
34	Mounting Plate – 9 1/4" Wall
35	Block – 9 1/4" Wall
36	Mounting Block & Block Assembly – 6" Wall
37	Mounting Plate – 6" Wall
38	Block – 6" Wall
39	Mounting Block & Block Assembly – 4 1/2" Wall
40	Mounting Plate – 4 1/2" Wall
41	Block – 4 1/2" Wall
42	Wedge Bolt

Part number must be preceded by catalog number.
 Example: To order Block Part 35 for 1360-030 Burner
 Specify 1360-030 -- 35
 (catalog number) (part number)

NOTE: GENERAL DIMENSION INFORMATION. SEE BLOOM REPRESENTATIVE FOR CERTIFIED DIMENSIONS FOR CONSTRUCTION

CAUTION: The improper use of combustion equipment can result in a condition hazardous to people and property. Users are urged to comply with National Safety Standards and/or Insurance Underwriters recommendations