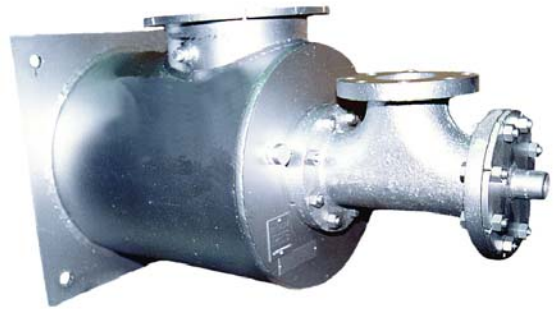


1029 SERIES FUEL ENERGY COLD AIR BAFFLE BURNER

CAPABILITIES

- Luminous flames at all firing levels
- High release rates with moderate air pressure
- Turndown to 15 to 1 on ratio with flame characteristics and direction maintained with gas
- Stable flames with lengths tailored to the application



FEATURES

- Luminous, well directed flame
- Rugged fabricated construction
- Refractory baffle flame stabilization
- Baffle shields the burner internals from flame
- Suitable for operation at furnace temperatures up to 2600°F (1427°C)
- Heat resistant alloy nozzle
- Provisions for flame monitoring
- Spark ignition available
- Lower energy costs, improved productivity and yield

CONTROL

- Pressure balance ratio regulators
- Volumetric air ratio control
- Tandem valves
- Note: Gas distribution orifice recommended at each burner in multiple burner zones due to low gas pressure

APPLICATIONS

- Aluminum and Copper Reverberatory Furnaces
- Many other applications requiring luminous, high momentum flames at all firing levels.

BURNER IGNITION

- Pilot
- Direct Spark
- Manual

FUEL CAPABILITIES

- Natural Gas
- LP Gas
- Low BTU Mixed Gas
- #2 Oil through #6 Oil and Tar

FLAME MONITORING

- U.V. Detector
- Please contact your Bloom representative for flame monitoring with residual oil

OPTIONS

- Designs with cleanout doors
- Angled mounting flange
- Angled air riser

CAUTION: The improper use of combustion equipment can result in a condition hazardous to people and property. Users are urged to comply with National Safety Standards and/or Insurance Underwriters recommendations

1029 SERIES FUEL ENERGY COLD AIR BAFFLE BURNER

CAPACITY CHART

Catalog No. 1029-	Maximum Air Capacity 12" WC Air Pressure (29.85 mBar)		Pilot Size
	SCFH	Nm3/hr	
040	30,800	826	3001-050
060	46,200	1,239	3001-050
065	64,600	1,732	3001-050
080	93,300	2,501	3001-050
085	116,600	3,126	3001-050
100	155,000	4,156	3001-100
120	217,800	5,839	3001-100
140	264,000	7,078	3001-100
160	330,000	8,847	3001-150
180	407,000	10,912	3001-150
200	484,000	12,976	3001-150
220	583,000	15,630	3001-150
240	682,000	18,284	3001-150

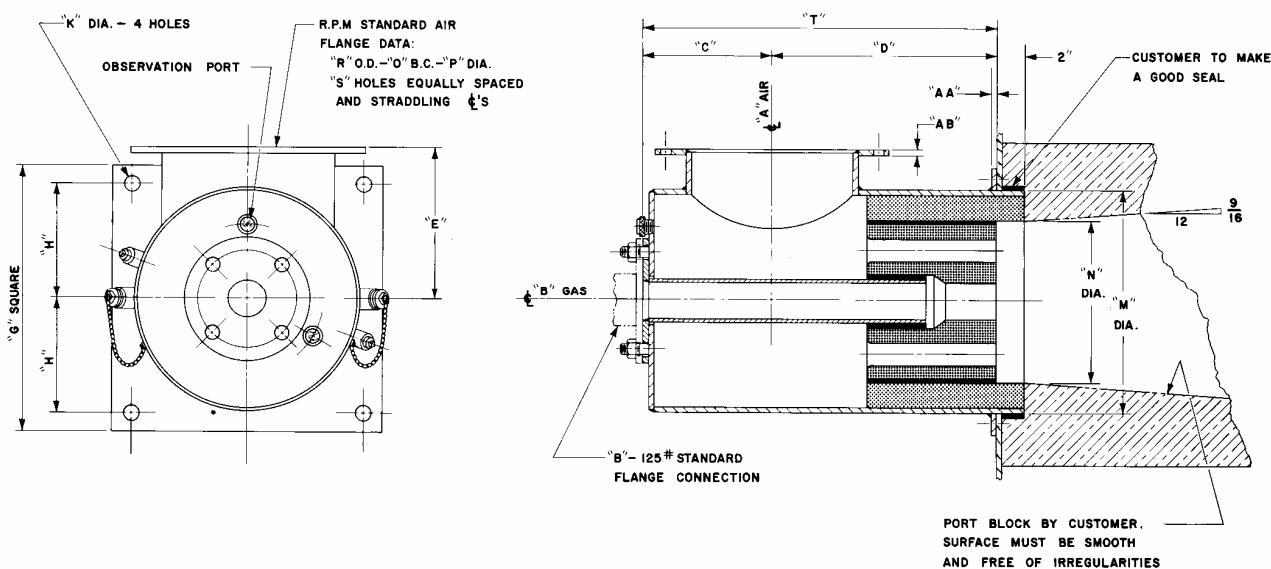
Gas Line Size Chart			
"B" Line Size		Maximum Capacity	
inches	mm	MM BTU/hr	MM Kcal/hr
2	51	4	1
2 ½	64	6	2
3	76	11	3
4	102	20	5
6	152	48	12
8	203	80	20
10	254	124	31
12	305	175	44

NOTE: GENERAL DIMENSION INFORMATION. SEE BLOOM REPRESENTATIVE FOR CERTIFIED DIMENSIONS FOR CONSTRUCTION

CAUTION: The improper use of combustion equipment can result in a condition hazardous to people and property. Users are urged to comply with National Safety Standards and/or Insurance Underwriters recommendations

1029 SERIES FUEL ENERGY COLD AIR BAFFLE BURNER

GENERAL DIMENSIONS FOR -040 THRU -100



Catalog No. 1029-	General Dimensions* (inches/mm)																Ship Weight less block		
	A	B	C	D	E	G	H	K	M	N	O	P	R	S	T	AA	AB	lbs	kg
040	4	SEE GAS LINE SIZE CHART	4.38	10.75	7.75	14	5.5	.88	10.75	TO SUIT APPLICATION	5.94	.63	6.69	8	15.13	.38	.50	100	45
	102		111	273	197	356	140	22	273		151	16	170	203	384	10	13		
060	6		5.38	11.50	8.75	16	6	.88	12.75		7.88	.63	8.69	8	16.88	.38	.50	140	64
	152		137	292	222	406	152	22	324		200	16	221	203	429	10	13		
06X	6		5.38	11.50	9.38	18	7	1.13	14		7.88	.63	8.69	8	16.88	.38	.50	190	86
	152		137	292	238	457	178	29	356		200	16	221	203	429	10	13		
080	8		6.38	12.50	10.38	20	8	1.13	16		10	.63	10.81	8	18.88	.38	.50	275	125
	203		162	318	264	508	203	29	406		254	16	275	203	480	10	13		
08X	8		6.38	12.50	10.38	20	8	1.13	16		10	.63	10.19	8	18.88	.38	.50	275	125
	203		162	318	264	508	203	29	406		254	16	259	203	480	10	13		
100	10	7.38	15	11.50	22	9	1.13	18	12.25	.75	14.06	12	22.38	.38	.50	380	172		
	254	187	381	292	559	229	29	457	311	19	357	305	568	10	13				

*Other combinations of air connection ("A") and body ("M") diameters available to suite specific applications.

NOTE: GENERAL DIMENSION INFORMATION. SEE BLOOM REPRESENTATIVE FOR CERTIFIED DIMENSIONS FOR CONSTRUCTION

CAUTION: The improper use of combustion equipment can result in a condition hazardous to people and property. Users are urged to comply with National Safety Standards and/or Insurance Underwriters recommendations

